

# VNR20(V)-01

## REACH TRUCK AGV

Reach truck design, suitable for beam rack, drive-in rack type and high rack storage scenarios.



**2.0T**  
Rated Load  
Capacity



**1.5m/s**  
Maximum  
Driving Speed



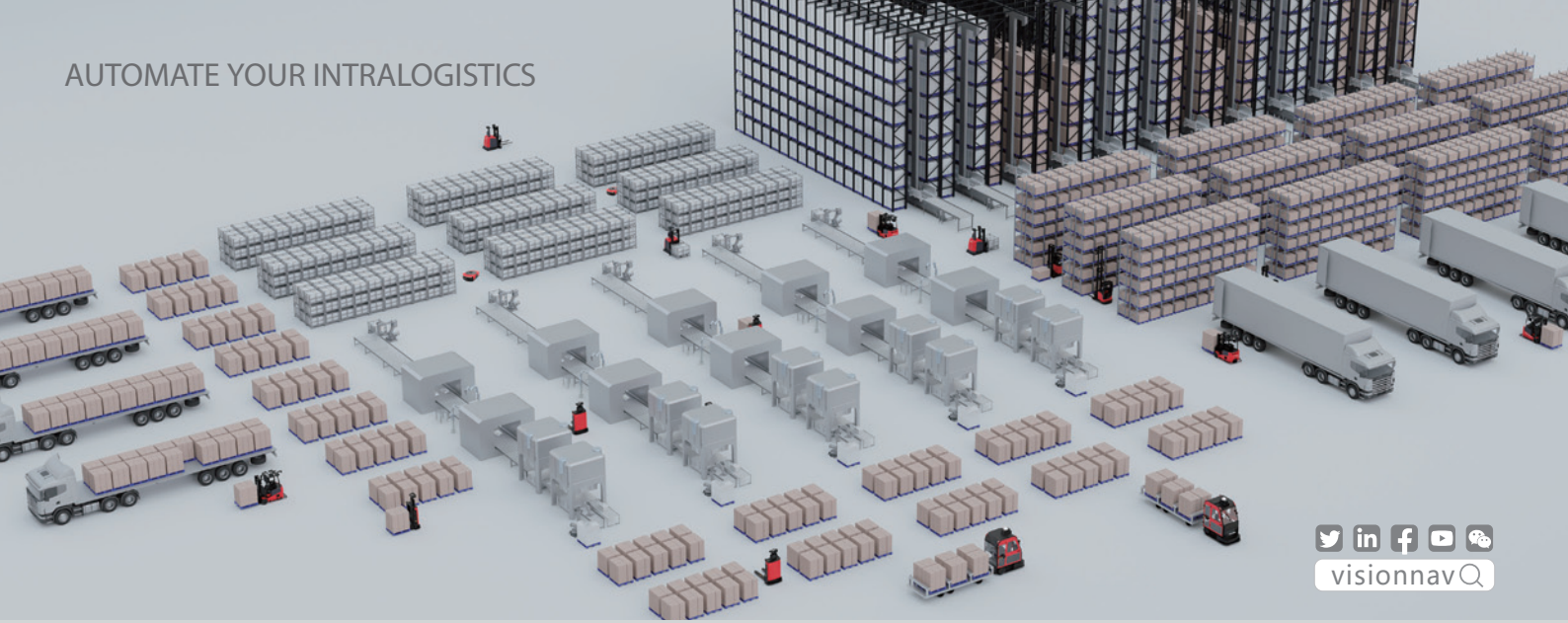
**11.45 m**  
Lift Height



**3130 mm**  
Min. Stacking  
Aisle Width

AUTOMATE YOUR INTRALOGISTICS

# AUTOMATE YOUR INTRALOGISTICS



## Fundamental Technical Parameters

Weight	3460kg (7627.99lb)
Dimensions (l1/b1/h1)	Gantry Retracts 2755x1635x4967mm (108.46x64.37x195.55in)
	Gantry Extends 3398x1635x4967mm (133.78x64.37x195.55in)
Fork Dimensions (l/e/s)	1115x100x45mm (43.89x3.94x1.78in)
Width over/between Forks (b5/b4)	540/320mm (21.26/12.60in)
Reach travel	623mm (24.53in)
Positioning Method	Vision-based Navigation (Optional 3D laser)
Perception Method	Laser Scanning
Goods Drop-off Self-adaptability	±20mm/±1° (±0.79in/±1°)
Goods Pick-up Self-adaptability	±100mm/±10° (±3.94in/±10°)

Fork Lift Height (h3)	11455mm (450.98in)
Rated Load Capacity (Q)	2000kg (4409.25lb)
Load Center (C)	600mm (23.62in)
Side shift travel	±80mm (3.15in)
Min Turning Radius (Wa)	2109mm (83.03in)
Stacking Accuracy	±20mm/±1° (±0.79in/±1°)
Type of Operation	Automatic / Seated Tiller
Battery Type	LiFePO4
Voltage/Capacity	48V/400Ah
Charging Mode	Manual/ Automatic Charging

## Motion Performance

Straight Forward (Full-Load/Empty-Load)	1.3m/s, 1.5m/s (2.91mph, 3.36mph)
Straight Backward (Full-Load/Empty-Load)	0.6m/s, 0.6m/s (1.34mph, 1.34mph)
Turning Forward (Full-Load/Empty-Load)	0.3m/s, 0.6m/s (0.67mph, 1.34mph)

Turning Backward (Full-Load/Empty-Load)	0.3m/s, 0.6m/s (0.67mph, 1.34mph)
Lift Speed (Full-Load/Empty-Load)	220mm/s, 300mm/s (0.49mph, 0.67mph)
Lower Speed (Full-Load/Empty-Load)	310mm/s, 260mm/s (0.69mph, 0.58mph)

## Environmental Requirement

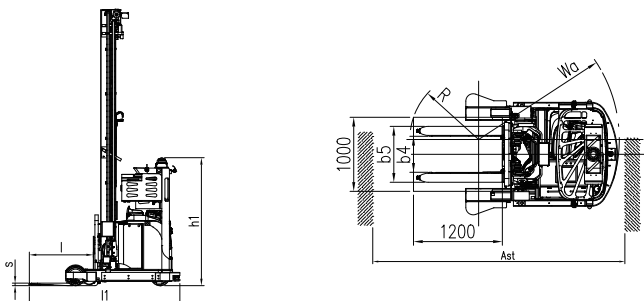
Min. Stacking Aisle Width (Pallet Size L*W: 1165*1165 mm)	3260mm (128.35in)
Min. Turning Aisle Width (Pallet Size L*W: 1165*1165 mm)	2219mm (87.36in)
Working Temperature	-5 -45
Working Humidity	20-95%
Ground Flatness	±3mm/m <sup>2</sup> (±0.12in/m <sup>2</sup> )
Max Climbing Ability (Full-Load/Empty-load)	3°, 3°
Max Groove Width	20mm (0.79in)
Max Step Height	10mm (0.4in)

## Safety Protection

Front	Laser Scanner Protection + Anti-Collision Bumper
Rear	Laser Scanner Protection + Contact Sensor
Top	Photoelectric Sensor + Ultrasound Scanner
Side	Laser Scanner Protection + Anti-Collision Bumper
Other	Emergency Stop Button + Acousto-Optic Alarm + Safety/Warning Light

\* Fork length can be customized. Mast option: Triplex (9455mm, 9655mm, 9955mm, 10155mm, 10455mm, 10955mm); Forklift weight varies slightly depending on the height of the mast. Due to improvements, the specifications and parameters may be changed without notice. Please consult the sales staff for details.

## Product Drawing



## Contact us

### Alnico Systems Pty Ltd

Unit 206 / 882 Pacific Highway  
Lisarow NSW 2250

sales@alnico.com.au www.alnico.com.au