

MV-SC7016M

1.6 MP Smart Camera



Introduction

With built-in vision tools of deep learning, MV-SC7016M smart camera can achieve character and object recognition, object sorting, and other functions. With mechanical autofocus lens, the smart camera can meet different scenario demands. It can be monitored and operated via the web based interface, and it supports multiple result output methods, and customized result text output.

Key Feature

- Built-in vision tools of deep learning to achieve character and object recognition, object sorting, etc.
- Supports semi-automatic focus to get clearer images.
- Adopts high speed and large capacity memory medium for saving images.
- Supports multiple communication protocols, including TCP, UDP, Serial, FTP, Modbus, etc.
- Supports indicators displaying device status.

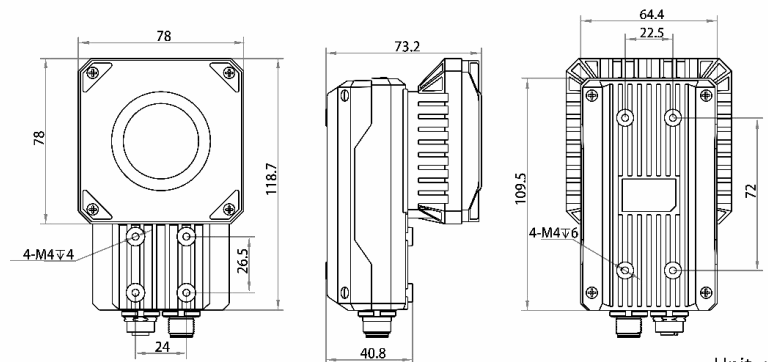
Available Model

- 12 mm focal length smart camera: MV-SC7016M-12S-WBN
- 15 mm focal length smart camera: MV-SC7016M-15S-WBN

Applicable Industry

Consumer electronics, food and beverage, pharmaceutical, automobile, etc.

Dimension



Unit: mm

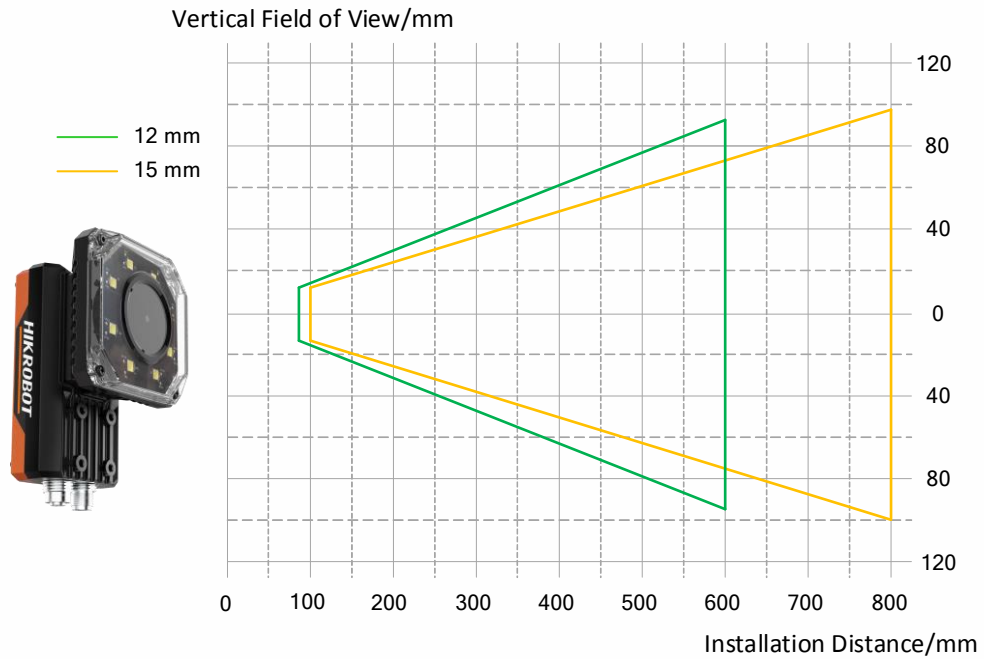


Specification

Model	MV-SC7016M-12S-WBN	MV-SC7016M-15S-WBN
Tool		
Vision tool	Feature matching, fixture, blob, deep learning character recognition, deep learning character location, deep learning classification, deep learning object detection, etc.	
Solution capacity	Supports solution importing and exporting, up to 32 solutions and 40 modules can be stored.	
Communication protocol	TCP, UDP, serial port, IO, Modbus, PROFINET, Ethernet/IP, and FTP.	
Camera		
Sensor type	CMOS, global shutter	
Pixel size	3.45 μm \times 3.45 μm	
Sensor size	1/2.9"	
Resolution	1408 \times 1024	
Max. frame rate	60 fps	
Dynamic range	71.4 dB	
SNR	41 dB	
Gain	0 dB to 15 dB	
Exposure time	16 μs to 1 sec	
Pixel format	Mono 8	
Mono/color	Mono	
Platform		
Memory	4 GB	
Storage	32 GB	
Electrical feature		
Data interface	Gigabit Ethernet interface	
Digital I/O	12-pin M12 connector provides power and I/O, including opto-isolated input (Line 0/1/2) \times 3, opto-isolated output (Line 3/4/5) \times 3, and RS-232 \times 1	
Power supply	12 VDC to 24 VDC	
Power consumption	Approx. 7.5 W@24 VDC (light source is disabled) Approx. 18 W@24 VDC (light source is enabled)	
Mechanical		
Lens mount	M12-mount, semi-automatic focus supported	
Focal length	12 mm (0.5")	15 mm (0.6")
Lens cap	Transparent lens cap. Polarization lens cap is optional.	
Light source	White light. Red, blue, or NIR light is optional.	
Indicator	Power indicator (PWR), network indicator (LNK/ACT), and user-defined indicator (U1/U2).	
Dimension	118.7 mm \times 78 mm \times 73.2 mm (4.7" \times 3.1" \times 2.9")	
Weight	Approx. 520 g (1.1 lb.)	
Ingress protection	IP67 (under proper installation of waterproof lens cap)	
Temperature	Working temperature: 0 $^{\circ}\text{C}$ to 50 $^{\circ}\text{C}$ (32 $^{\circ}\text{F}$ to 122 $^{\circ}\text{F}$) Storage temperature: -30 $^{\circ}\text{C}$ to 70 $^{\circ}\text{C}$ (-22 $^{\circ}\text{F}$ to 158 $^{\circ}\text{F}$)	
Humidity	20% to 95% RH, non-condensing	
General		
Client software	Via web based interface	
Certification	CE, FCC, KC	

Detection Range

Lens focal length	Installation distance	Field of view	Single pixel accuracy
12 mm (0.5")	80 mm (3.1")	33.12 mm × 24.84 mm (1.3" × 1.0")	0.023 mm
	600 mm (23.6")	248 mm × 186.3 mm (9.8" × 7.3")	0.1722 mm
15 mm (0.6")	100 mm (3.9")	33.12 mm × 24.84 mm (1.3" × 1.0")	0.023 mm
	800 mm (31.5")	264.96 mm × 198.72 mm (10.4" × 7.8")	0.184 mm



HIKROBOT

Hangzhou Hikrobot Technology Co., Ltd.
No.399 Danfeng Road, Binjiang District, Hangzhou 310051, China.
en.hikrobotics.com

Copyright Hikrobot

Hangzhou Hikrobot Technology Co., Ltd. All Rights Reserved. Hangzhou Hikrobot Technology does not tolerate any infringement. Any organization or individual may not imitate or reproduce in whole or in part of the content. The data herein is based on Hikrobot's internal evaluation. Actual data may vary depending on specific configuration and operating condition. The information herein is subject to change without notice. All the content has been checked conscientiously. Nevertheless, Hikrobot shall not be liable to damages resulting from errors, inconsistencies or omissions.