

# MV-SC2004EM-06S-WBN-Mini

0.4 MP 1/2.9" Vision Sensor



## Introduction

With built-in positioning and measurement algorithms, MV-SC2004EM-06S-WBN-Mini vision sensor can detect object's existence, count patterns and spots, etc. It can be monitored and operated via the SCMVS client. It can output results via RS-232 and Ethernet, and cooperate with other processes via IO. The vision sensor supports multiple result output methods and customized result text output.

## Key Features

- Adopts embedded hardware platform for high-speed image processing.
- Adopts built-in positioning and measurement algorithms to detect object's existence, count patterns and spots, etc.
- Multiple IO interfaces for input and output signals.
- Multiple indicators for displaying device status.
- Adopts light source to ensure uniform brightness in the illuminated area.
- Supports multiple communication protocols, including Serial Port, TCP, UDP, FTP, Profinet, Modbus, Ethernet/IP, etc.

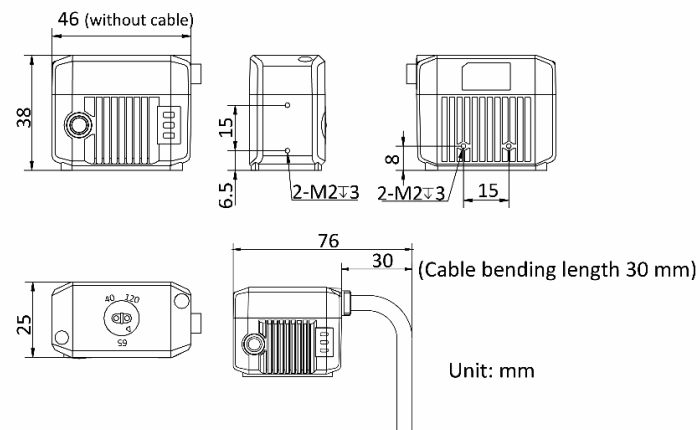
## Available Model

MV-SC2004EM-06S-WBN-Mini

## Applicable Industry

Consumer electronics, food and medical industry, automobile, etc.

## Dimension

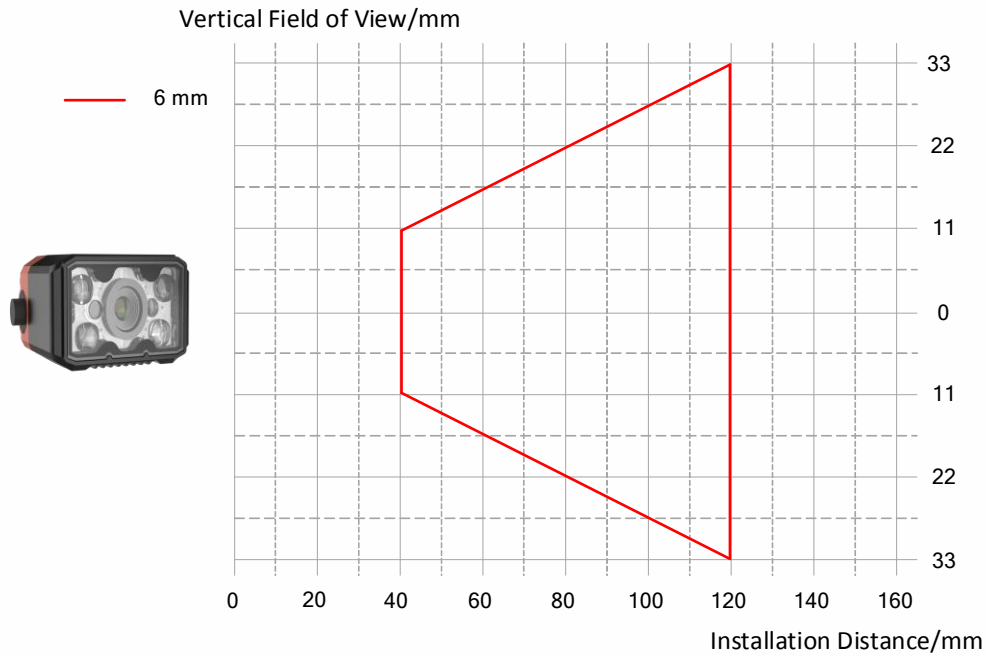


## Specification

<b>Model</b>	<b>MV-SC2004EM-06S-WBN-Mini</b>
<b>Tool</b>	
<b>Vision tool</b>	<ul style="list-style-type: none"> <li>● Existence: Pattern existence, spot existence</li> <li>● Count: Pattern count, spot count</li> <li>● Measurement: Brightness analysis, contrast measurement</li> </ul>
<b>Solution capacity</b>	Supports solution importing and exporting, up to 8 solutions and 40 modules can be stored.
<b>Communication protocol</b>	Serial Port, TCP, UDP, FTP, Profinet, Modbus, Ethernet/IP
<b>Camera</b>	
<b>Sensor type</b>	CMOS, global shutter
<b>Pixel size</b>	6.9 μm × 6.9 μm
<b>Sensor size</b>	1/2.9"
<b>Resolution</b>	704 × 540
<b>Max. frame rate</b>	60 fps
<b>Dynamic range</b>	74 dB
<b>SNR</b>	41 dB
<b>Gain</b>	0 dB to 15 dB
<b>Exposure time</b>	16 μs to 1 sec
<b>Pixel format</b>	Mono 8
<b>Mono/color</b>	Mono
<b>Electrical features</b>	
<b>Data interface</b>	Fast Ethernet
<b>Digital I/O</b>	17-pin M12 connector provides power, Ethernet, serial port, and digital I/O, including configurable I/O × 4 (Line 0/1/2/3). Device trigger via pressing button supported. Output signals support NPN only.
<b>Power supply</b>	12 VDC to 24 VDC
<b>Max. power consumption</b>	Approx. 7.5 W@12 VDC
<b>Mechanical</b>	
<b>Lens mount</b>	M10-mount, adjusting focus manually supported
<b>Focal length</b>	6 mm (0.2")
<b>Lens cap</b>	Transparent lens cap.
<b>Light source</b>	White LED lamp × 4
<b>Indicator</b>	Power indicator (PWR), network indicator (LNK), and status indicator (STS).
<b>Dimension</b>	46 mm × 38 mm × 25 mm (1.8" × 1.5" × 1.0")
<b>Weight</b>	Approx. 160 g (0.35 lb.)
<b>Ingress protection</b>	IP65 (under proper installation of lens and wiring)
<b>Temperature</b>	Working temperature: 0 °C to 50 °C (32 °F to 122 °F) Storage temperature: -30 °C to 70 °C (-22 °F to 158 °F)
<b>Humidity</b>	20% to 95% RH, non-condensing
<b>General</b>	
<b>Client software</b>	SCMVS
<b>Certification</b>	CE, FCC, KC

## Detection Range

Lens focal length	Installation distance	Field of view	Single pixel accuracy
6 mm (0.2")	40 mm (1.6")	29 mm × 22 mm (1.1" × 0.9")	0.041 mm
	120 mm (4.7")	87 mm × 66 mm (3.4" × 2.6")	0.123 mm



**HIKROBOT**

Hangzhou Hikrobot Technology Co., Ltd.  
No.399 Danfeng Road, Binjiang District, Hangzhou 310051, China.  
en.hikrobotics.com

Copyright Hikrobot

Hangzhou Hikrobot Technology Co., Ltd. All Rights Reserved. Hangzhou Hikrobot Technology does not tolerate any infringement. Any organization or individual may not imitate or reproduce in whole or in part of the content. The data herein is based on Hikrobot's internal evaluation. Actual data may vary depending on specific configuration and operating condition. The information herein is subject to change without notice. All the content has been checked conscientiously. Nevertheless, Hikrobot shall not be liable to damages resulting from errors, inconsistencies or omissions.